

# electrico

## USER MANUAL



### GAS PATIO HEATER

eiQODGRSS  
eiQODGRBL  
eiQODGRWH  
eiQODGAG

STAINLESS STEEL  
BLACK  
WHITE  
GREY



0063-21

**WARNING: FOR  
OUTDOOR USE IN WELL VENTILATED AREAS ONLY. DO NOT USE INDOORS.  
PLEASE KEEP THE MANUAL FOR FUTURE REFERENCE**

# CONTENTS

SAFETY	3
PARTS LIST	5
ASSEMBLY	7
OPERATION	15
LEAK TESTING	16
GAS INFORMATION	16
MAINTENANCE	17
STORAGE	18
TROUBLESHOOTING	18
TECHNICAL SPECIFICATIONS	19
SUPPORT	19

# IMPORTANT SAFETY INFORMATION

Please read this user manual before using this heater and keep it safe for future reference.

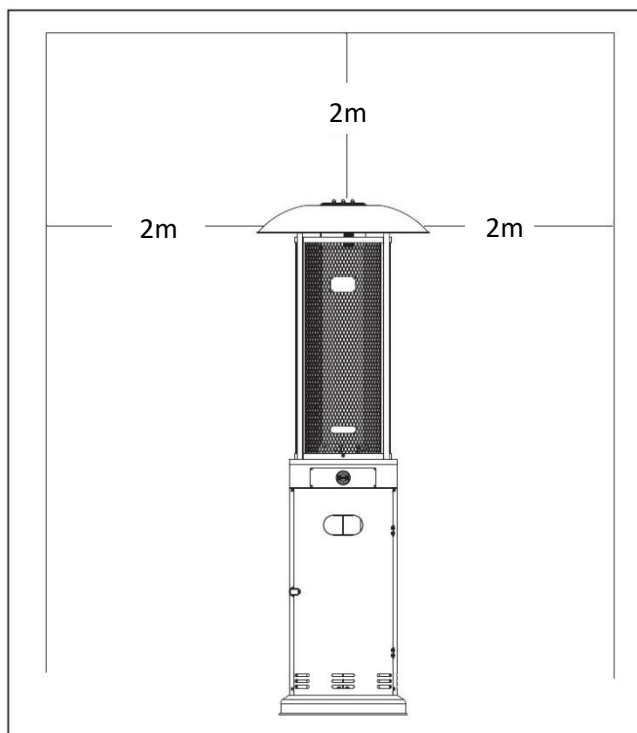
- Read the following instructions carefully and be sure your patio heater is properly installed, assembled and cared for. Retain the instructions for future reference.
- Failure to follow these instructions may result in serious bodily injury and/or property damage.
- **WARNING - Risk of Suffocation!** Gas heaters must be used outdoors and must not be used in enclosed areas such as sheds or marquees!
- Read the instruction manual before using the appliance.
- **WARNING:** Accessible parts may be very hot. Keep young children away.
- This appliance must be kept away from flammable materials during use.
- Do not move the appliance during use.
- The appliance should be secured to the ground when in use.
- Turn off the gas supply at the gas cylinder after use.
- Do not modify this appliance.
- If you have any questions concerning assembly or operation, consult the retailer or Bottled Gas Company.
- Always place the appliance and cylinder on flat level ground.
- Turn off the gas cylinder if gas leak is suspected.
- Parts sealed by the manufacturer must not be altered by the user. No modifications should be made to any part of this heater and repairs and maintenance should only be carried out by a registered Gas Safe service engineer.
- Use only regulator and hose approved for LP Gas at the correct pressures and gas type.
- The regulator should comply with the standard EN16129 and current regulations in the country where it is installed, which may be found at your nearest retailer of gas items.
- Refer to the technical data. It is strictly prohibited to use adjustable pressure.
- The life expectancy of the regulator is estimated as 10 years. It is recommended that the regulator is changed within 10 years of the date of manufacture or the national conditions require it.
- The type of replaceable hose should be compliant with EN16436-1.
- The hose used must conform to the relevant standard for the country of use. The length of the hose must be 0.41 meters (minimum) and 1.5 meters (maximum). A worn or damaged hose must be replaced. Ensure that the hose is not obstructed or kinked. It is recommended that the hose is changed within 1 year of the date of manufacture or as the national conditions require.

For use outdoors or in well ventilated areas.

- A well-ventilated area must have a minimum of 25% of the surface area open.
- The surface area is the sum of the walls surface.
- The use of this appliance in enclosed areas can be dangerous and is PROHIBITED.
- Children and adults should be aware of the high operating temperatures of areas above the post when operating this heater. Children should be carefully supervised when in the vicinity of the heater.

**NEVER** hang anything, including clothes or any other flammable items, on this heater.

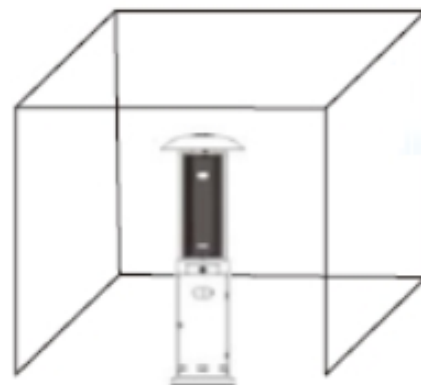
**DO NOT** operate this heater unless it is fully assembled. Respect the minimum clearances from combustible materials.



Minimum clearance from combustible surfaces

## GENERAL INFORMATION FOR SUCCESSFUL ASSEMBLY

Please read the assembly instructions carefully and follow the safety precautions. Allow sufficient time for assembly. Before starting assembly, clear an area measuring approximately two to three square meters. Remove the item from the packaging and lay out all of the parts and any necessary tools so that they are within easy reach.

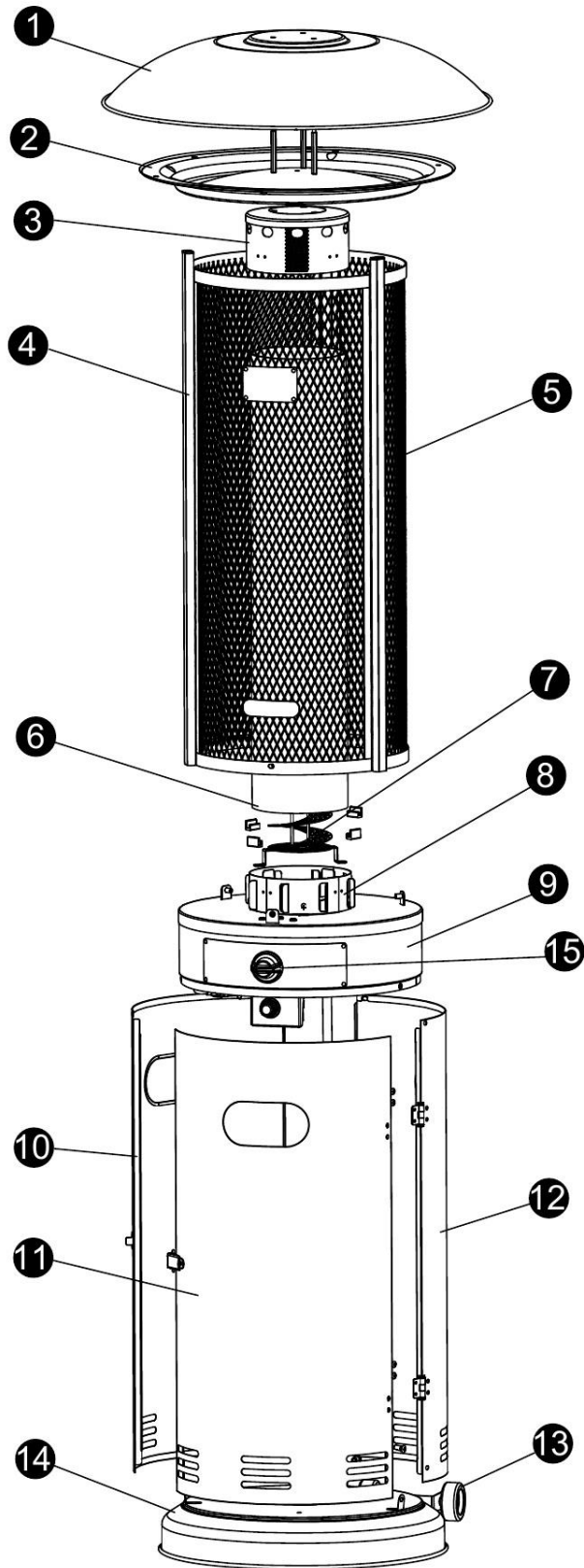






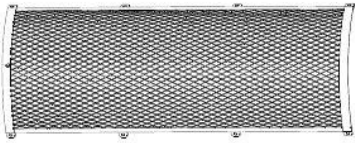


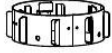

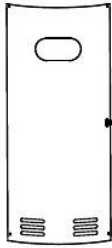
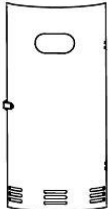
Only tighten all of the screw connections firmly when you have finished assembly or are instructed to within the manual. Otherwise this can result in unwanted tension and instability.



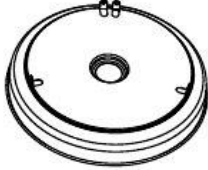


**NOTE:** Gas supply sold separately.


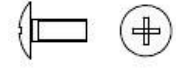
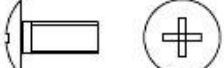


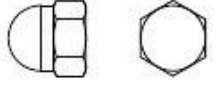
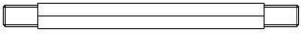

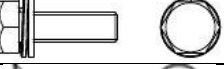

**NOTE:** Your patio heater is designed to be used with a gas cannister of a maximum size of 13kg.

# PRODUCT OVERVIEW AND PART LIST



#	PART NAME	PICTURE	QTY
1	Reflector Dome		1
2	Reflector		1
3	Emitter Screen		1
4	Mesh Support Rod		3
5	Mesh		3
6	Glass Tube		1
7	Spiral		1
8	Fixing Glass Base		1
9	Burner Assy		1
10	Left Panel		1
11	Door Panel		1

#	PART NAME	PICTURE	QTY
12	Right Panel		1
13	Wheel Assy		1
14	Base and weight plate		1
15	Control Dial		1
16	Cylinder fastener		1

PART	PART NAME	QTY	QTY
AA	M4 x 10		3
BB	M4 x 10		6
CC	M5 x 12		26
DD	M4		4
EE	D6		3
FF	M6		3
GG	M6		3
HH	M5 x 16		3
II	M6 x 20		2
JJ	M4x10		4

Note: Some of the fittings may be provided pre-attached to the unit.

# ASSEMBLY

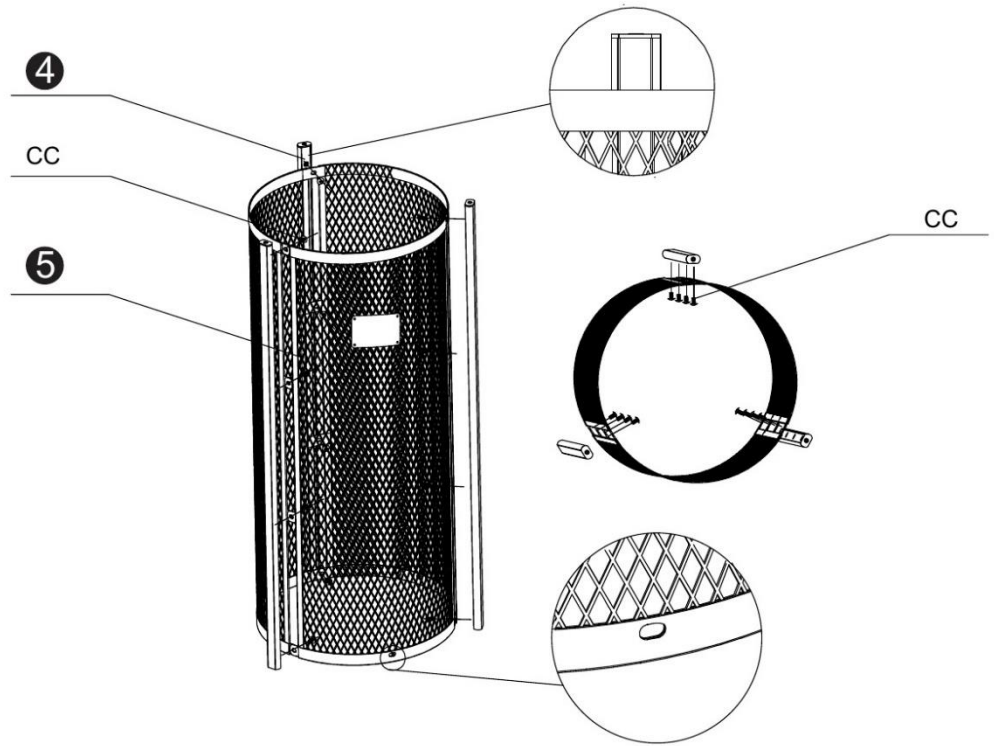
Required Tools: Philips Screwdriver / Adjustable Spanners / Wrenches

Leak Detection Solution: One-part detergent and three parts water

Before assembly, ensure all packing material and any transit protection is removed.

## Step 1

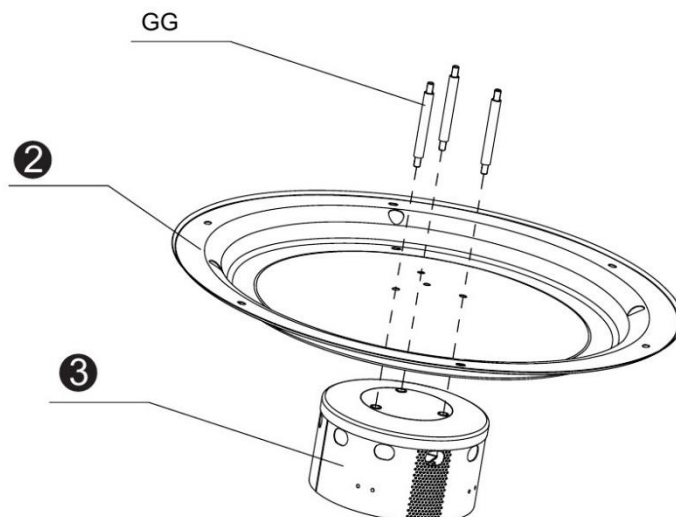
Parts required:  
Mesh Support Rod x 3  
Mesh x 3  
12 x CC M5x12 screws



Connect the three Mesh Support Rods to the three Mesh Panels using 12 x M5x12 screws

## Step 2

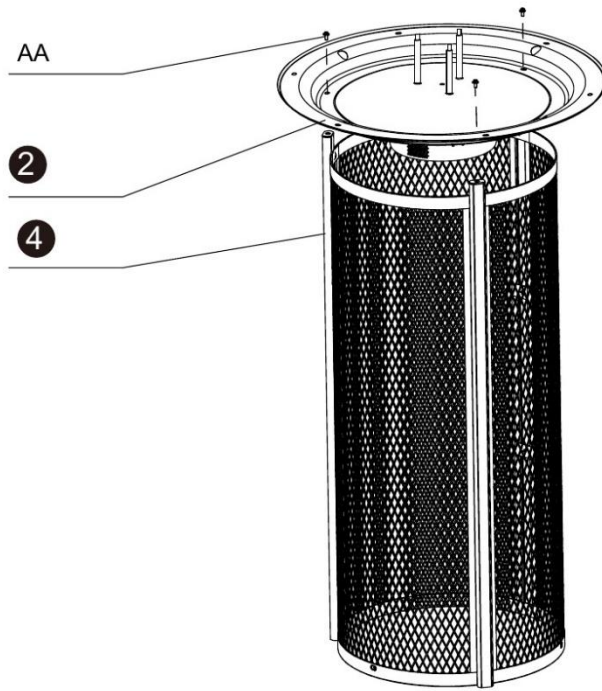
Parts required:  
3 x GG Pillars (M6)  
1 x Reflector  
1 x Emitter Screen



Screw the 3 Pillars into the reflector and the Emitter screen

### Step 3

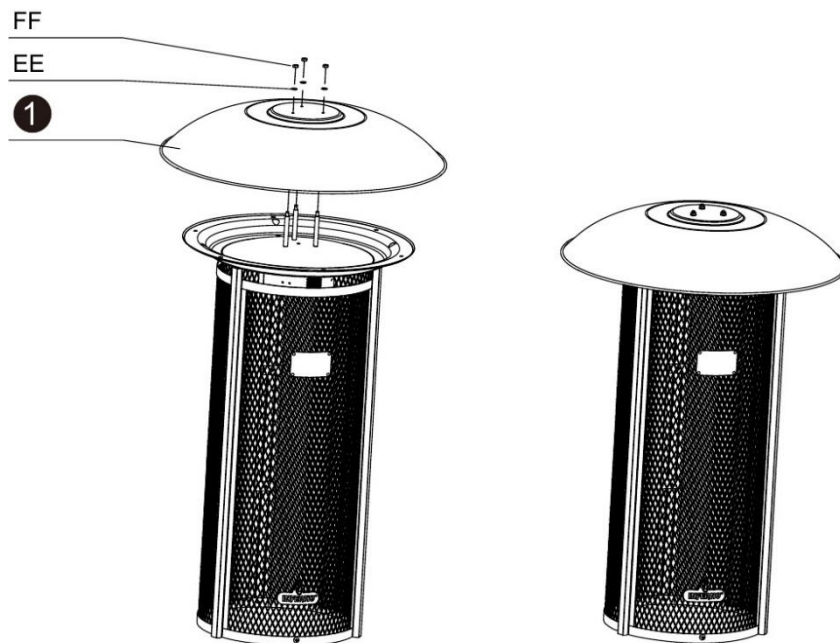
Parts required:  
3 x AA M4x10 Screws



Attach the Reflector to the Mesh Assembly using M4x10 screws

### Step 4

Parts required:  
1 x 1 Reflector Dome  
3 x EE Washers  
3 x FF M6 Dome Nuts

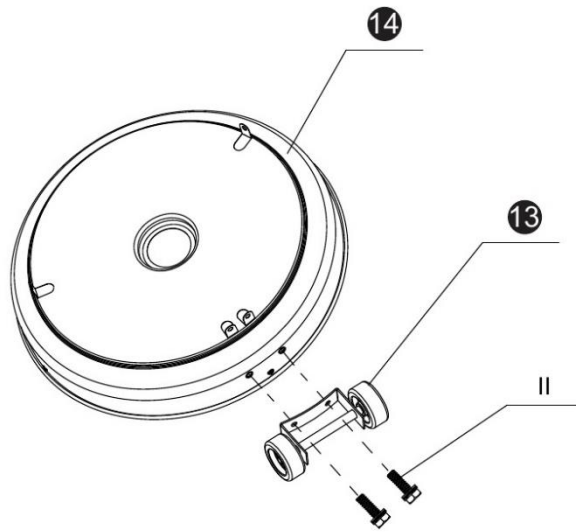


Attach the Reflector Dome to the pillars on the Reflector using the Washers and Dome Nuts



## Step 5

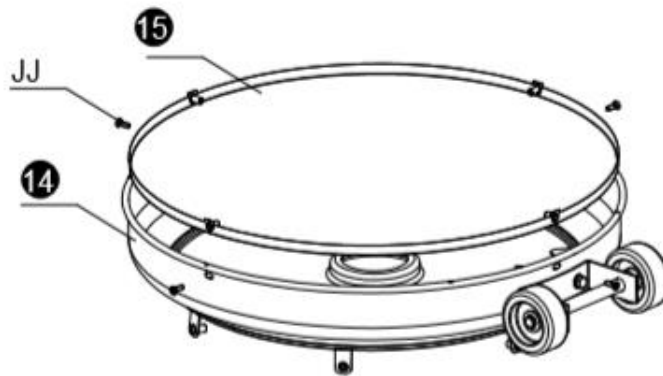
Parts required:  
2 x II M6x20 Bolts  
1 x Base  
1 x Wheel Assembly



Attach the Wheel Assembly to the Base using the 2 x M6x20 Screws

## Step 6

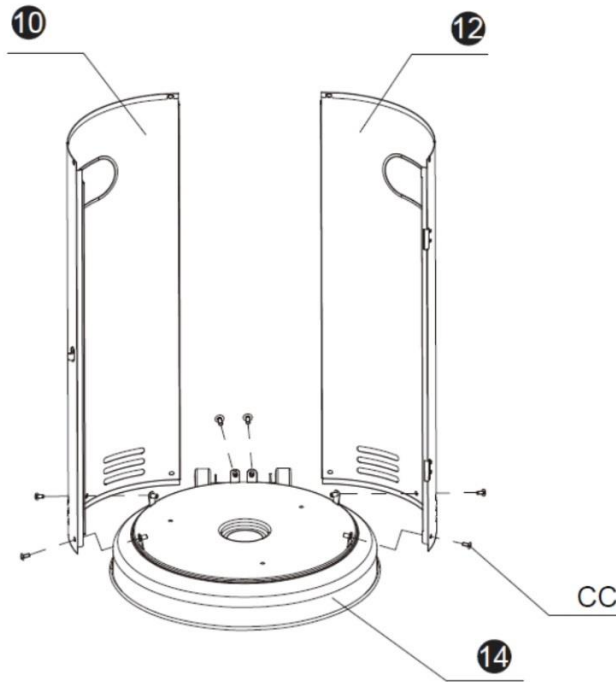
Parts required:  
Base weight plate  
4X JJ M4X10 screws



Screw the weight plate onto the base assembly

## Step 7

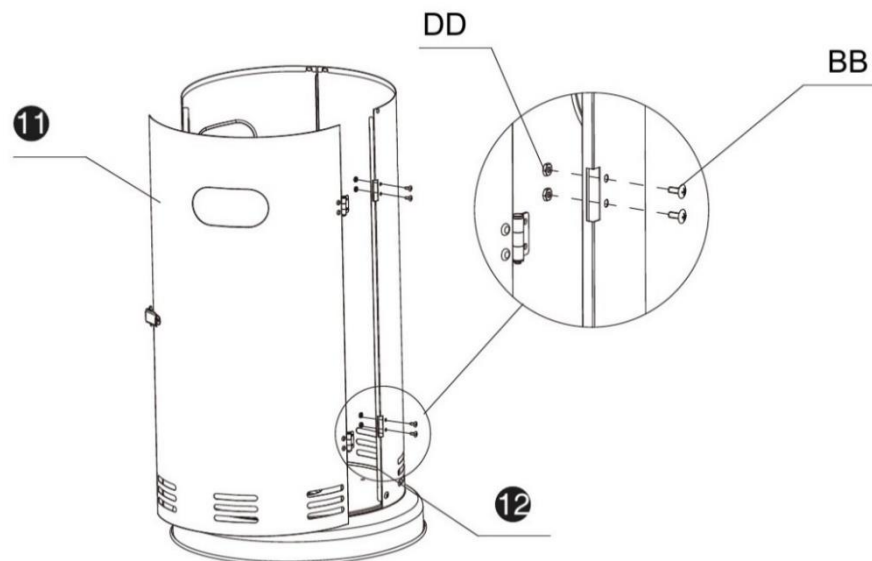
Parts required:  
Left Panel  
Right Panel  
6 x CC M5x12 screws



Attach the Left and Right Panels to the Base using 6 M5x12 screws

## Step 8

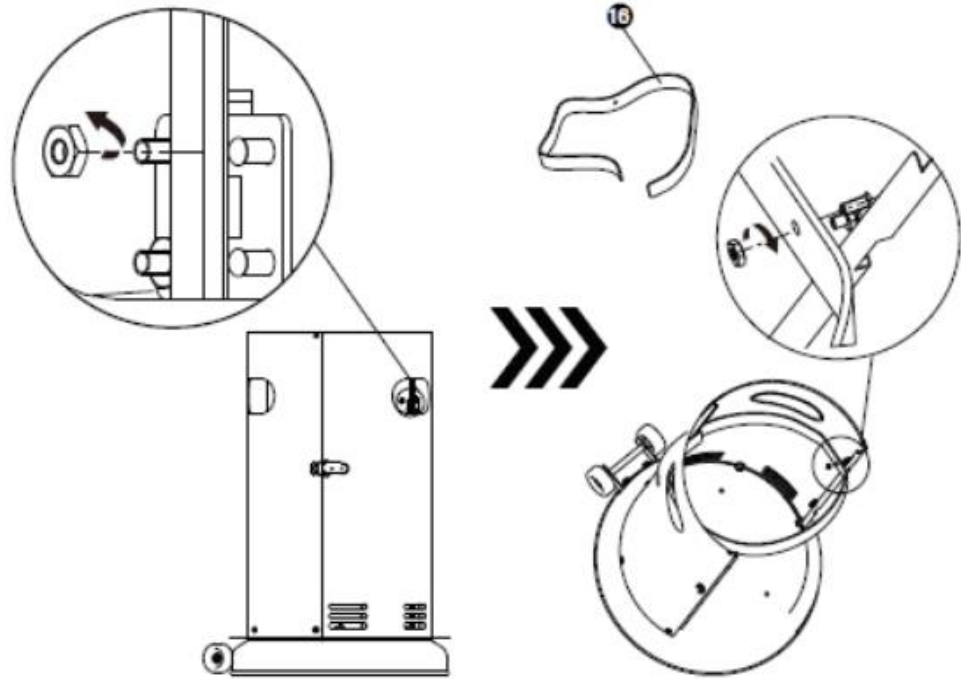
Parts required:  
Door Panel  
4 x BB M4x10 screws  
4 x DD M4 nuts



Attach the Door Panel by fitting nuts and screws to the hinges on the Door Panel and Right Panel

## Step 9

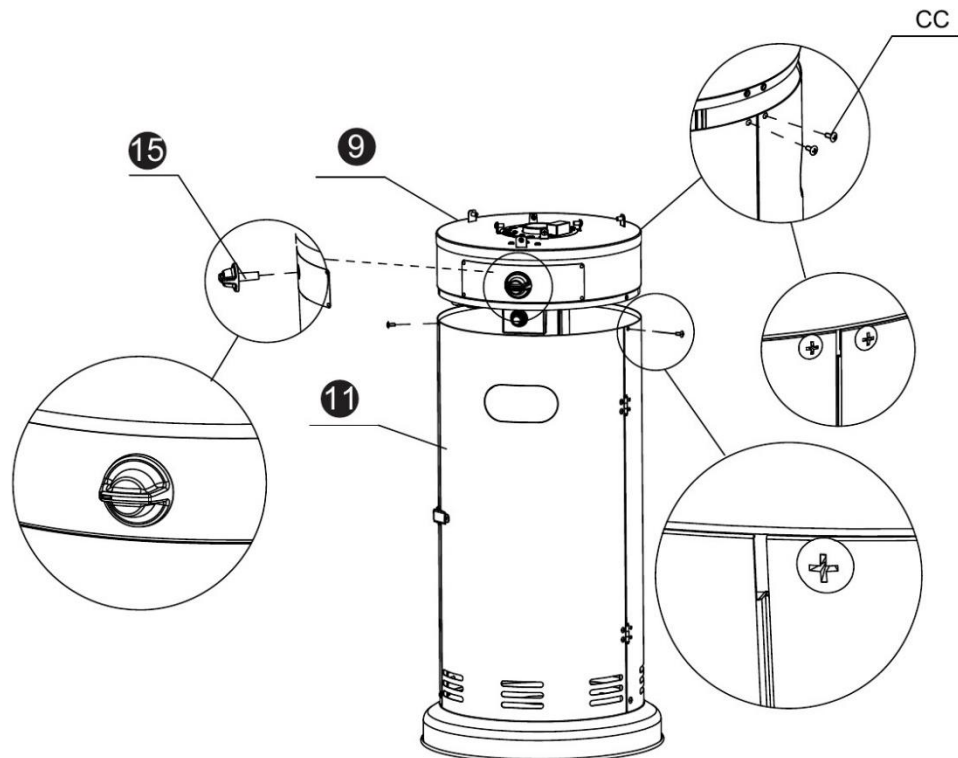
Cylinder Fastner x1



Unscrew the locking nut on the main body as shown. Then place the cylinder fastener inside the main body and ensure that it fits securely onto the inside of the body. Through the hole shown above, feed the inbuilt screw through and reattach the locking nut to secure the cylinder fastener.

## Step 10

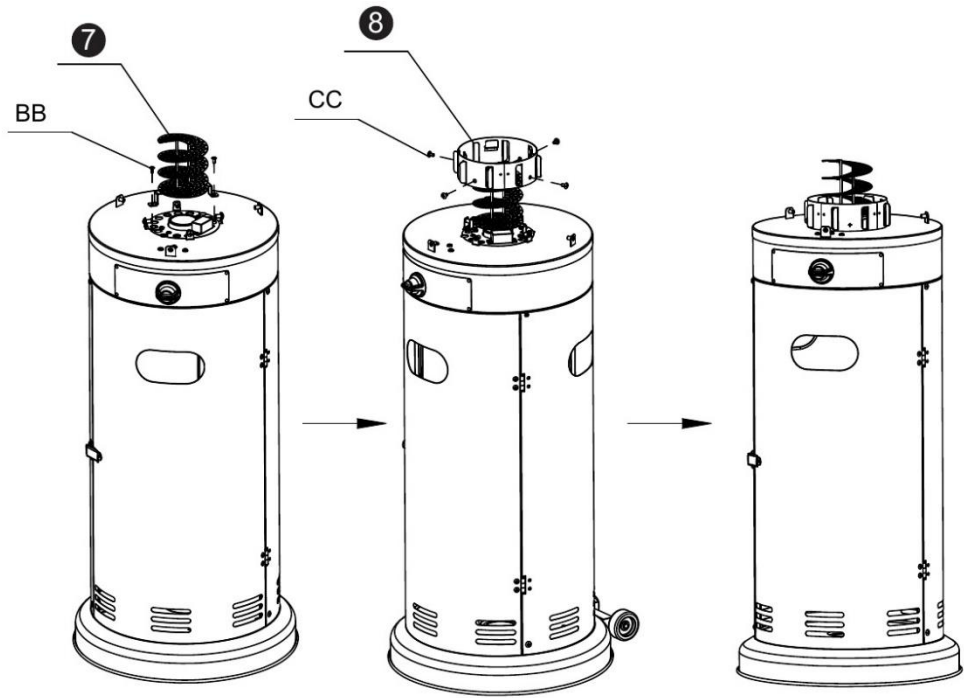
Parts required:  
Burner Assembly  
Control Dial  
4 x CC M5x12 Screws



Add the Burner Assembly, insert the Control Dial, screw together the Panels

## Step 11

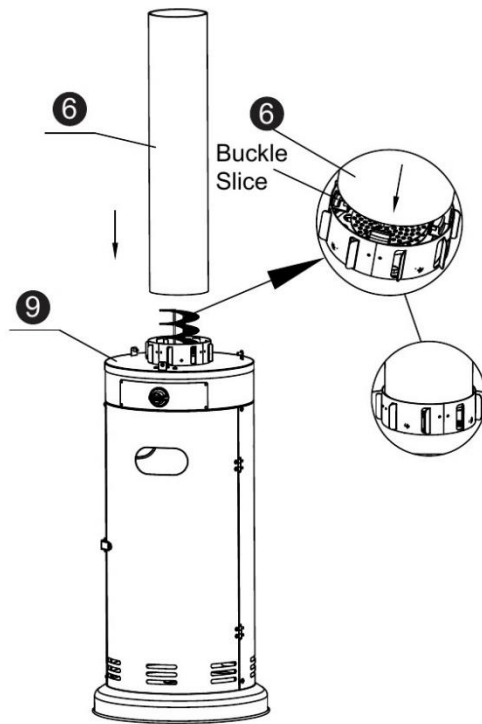
Parts required:  
2 x BB M4x10 Screws  
4 x CC M5x12 Screws  
Spiral  
Fixing Glass Base



Add the Spiral using M4x10 screws, then the Fixing Glass Base with M5x12 screws

## Step 12

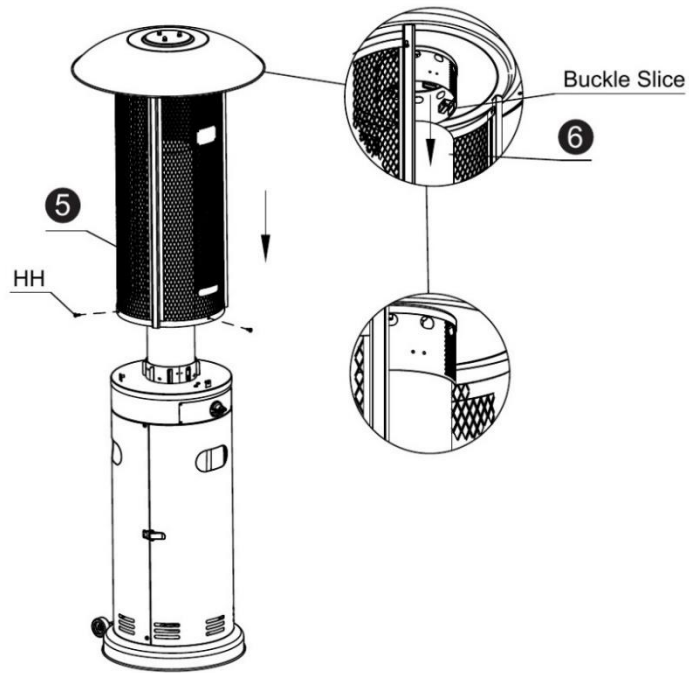
Parts required:  
Glass Tube



Insert the Glass Tube onto the Burner Assembly

## Step 13

Parts required:  
3 x HH M5x16 Screws



Slide the Mesh Assembly over the Glass Tube and fasten in place with the three M5x16 screws

## Step 14

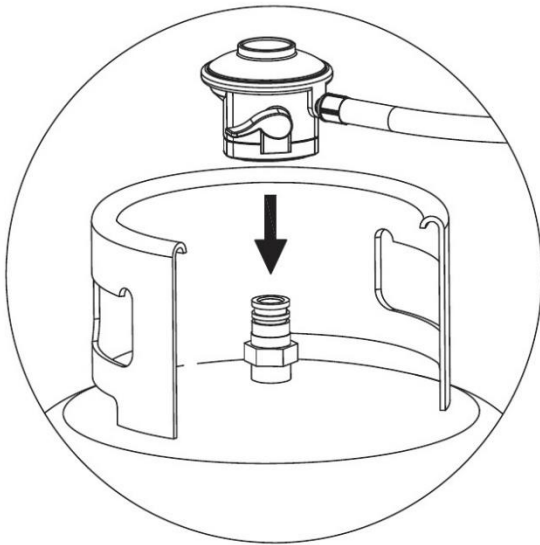
Parts required:  
1 x AA Battery (not included)



Open the Panel Door, remove the control dial and insert one AA battery

# Step 15 GAS CONNECTION

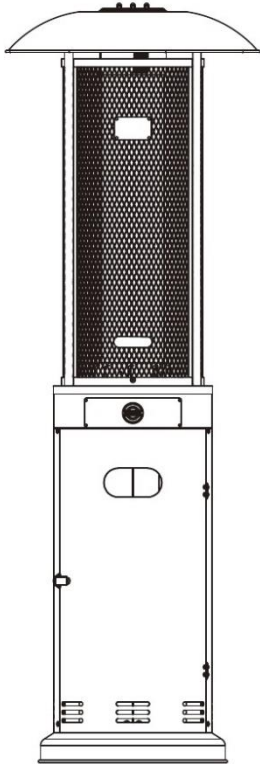
Parts required:  
Gas Cylinder (not included)



Attach the gas line to the cylinder valve and ensure the connection is secure.

# Step 16

Parts required:  
None



Your Patio Heater is now ready

## OPERATING INSTRUCTIONS

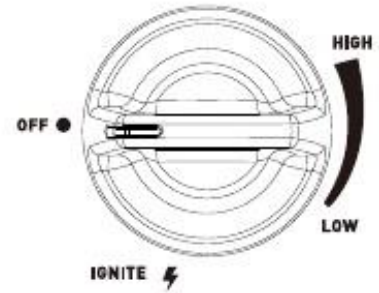
**BEFORE FIRST USE AND AFTER EVERY GAS CYLINDER CHANGE, GAS DELIVERY SYSTEM MUST BE PURGED OF AIR BEFORE IGNITING! TO DO THIS, TURN THE CONTROL DIAL ANTI-CLOCKWISE TO THE PILOT SETTING. PRESS THE DIAL IN AND HOLD FOR 1 MINUTE BEFORE ATTEMPTING IGNITION.**

### BATTERY REPLACEMENT

Remove the control dial. Install 1 AA battery. The negative end of battery goes in first, then replace the control dial.

### LIGHTING THE PATIO HEATER

- Check all connections prior to each use.
- Turn on the gas supply at source.
- Press and turn the control dial anti-clockwise to the **IGNITE** marking.
- Keep control dial depressed for up to 20 seconds until pilot is lit.
- If the gas fails to ignite, press and turn the dial clockwise to **OFF** before repeating the lighting steps.
- Turn the dial further anticlockwise to the **LOW** position.
- Adjust the heat by turning the dial from the **LOW** position to the **HIGH** position as required.
- In the event of the flame being disrupted (e.g. by the wind), a Flame Safety Device will automatically shut off the gas supply within 90 seconds.



Note: it is possible to light the appliance using a long match by lighting the burner through a hole in the guard mesh.

### RE-LIGHTING

- Turn the Dial to the OFF position.
- Wait at least 2 minutes, to let gas dissipate, before attempting to re-light pilot.
- Repeat the "Lighting" steps.

### TO EXTINGUISH

- Hold the dial down and turn clockwise to the OFF position
- Turn off the valve on the gas cylinder or the regulator after use.
- Disconnect the gas bottle and allow this appliance to cool before moving the appliance.

**Note: After use, some discoloration of the emitter screen is normal. Turn off the regulator after use and allow the appliance to cool before moving.**

## LEAK TESTING

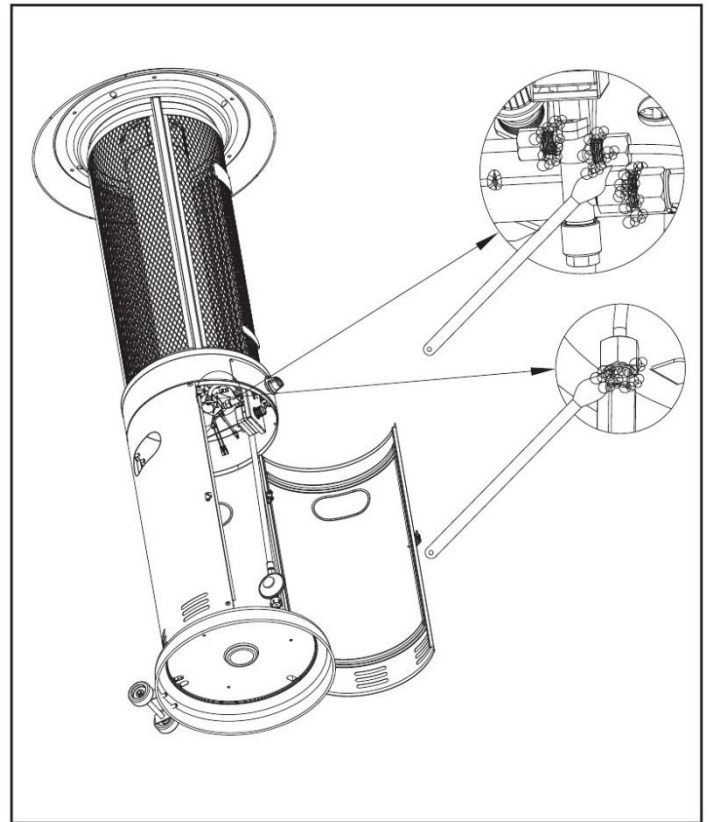
**NEVER USE A NAKED FLAME TO CHECK FOR LEAKS.**

**NEVER LEAK TEST WHILE SMOKING.**

The gas connections on this appliance are leak tested at the factory prior to shipment.

This appliance needs to be periodically checked for leaks and an immediate check is required if the smell of gas is detected.

- Make a soap solution using 1 part of liquid washing up liquid to 3 parts water. The soap solution can be applied with a soap bottle, brush, or rag to the leak tested points shown in the figure above.
- The valve of the gas cylinder should be in the **OFF** position. Once the soapy solution is applied to the gas connections, the valve of the gas cylinder needs to be turned to the **ON** position.
- Soap bubbles will begin to form in the soapy solution if a leak is present.
- In case of a leak, turn off the gas supply. Tighten any leaking fittings, then turn the gas supply on and recheck.



## GAS REQUIREMENTS

- The regulator and hose assembly used must conform to local safety requirements.
- Never use a gas cylinder with a damaged body, valve, collar, or foot ring. A dented or rusty gas tank may be hazardous and should be checked by a gas supplier.
- Never connect this appliance to an unregulated gas source.
- When the appliance is not in use, turn the gas cylinder OFF, before disconnecting it.
- Always perform a leak test on gas connections whenever a cylinder is connected. If bubbles form in the leak test solution, do not use. Never use a flame to test for leaks.

## CONNECTING TO A GAS CYLINDER

- Use a gas cylinder no larger than 31.8cm diameter x 58cm. Please refer to your gas supplier for suitable gas cylinder.
- Refer to your gas supplier for instructions on the use of your gas cylinder.
- Only change gas cylinders outdoors or in a well-ventilated area away from naked flames and any other source of ignition.
- The gas cylinder must always be used in an upright position.
- Close the heater control dial by turning fully clockwise.
- Close the gas cylinder tap and then attach the regulator onto the gas cylinder.
- Tighten all connections firmly and with a spanner where appropriate. The cylinder should be located on the cylinder base.
- Check for leaks at all joints using soapy water. If a leak is found, tighten the joint and then re-test.



## MAINTENANCE

To enjoy years of outstanding performance from your heater, make sure you perform the following maintenance activities on a regular basis:

- Keep exterior surfaces clean.
- Use warm soapy water for cleaning. Never use flammable or corrosive cleaning agents.
- While washing your unit, be sure to keep the area around the burner and pilot assembly dry at all times. If the gas control is exposed to water in any way, **DO NOT** try to use it. It must be replaced.
- Airflow must be unobstructed. Keep controls, burner and circulation air passageways clean. Signs of possible blockage include:
  - Gas odour with extreme yellow tipping of flame.
  - Heater does **NOT** reach the desired temperature.
  - Heater glow is excessively uneven.
  - Heater makes popping noises.
- Spiders and insects can nest in burner or orifices. This dangerous condition can damage the heater and render it unsafe for use. Clean burner holes by using a heavy-duty pipe cleaner. Compressed air may help clear away smaller particles.
- Carbon deposits may create a fire hazard. If any carbon deposits develop, clean the dome and burner with warm soapy water.

**Note: In environments with a high salt content (such as near the sea), corrosion occurs more quickly than normal. Frequently check the corroded areas and repair them.**

## SERVICING

- Please consult your supplier for servicing this appliance and replacement of its parts. The servicing of the appliance shall be carried out only by authorised personnel.
- Do not use unauthorised parts or components for this appliance, only use original equipment replacement parts and components. The use of unauthorised parts or components will void the warranty and can create unsafe condition.

## STORAGE

**There is no limitation on the storage of the appliance indoors provided that the cylinder is disconnected and removed from the appliance.**

Between uses or before storage:

- Turn the control dial OFF
- Turn the gas cylinder OFF
- Disconnect the gas bottle.


Store the heater upright in an area sheltered from direct contact with inclement weather (such as rain, sleet, hail, snow, dust and debris). If desired, cover to protect exterior surfaces and to prevent build up in air passages.

**Note: Wait until heater is cool before covering.**

## TROUBLESHOOTING

PROBLEM	CONDITION	FIX
<b>Pilot won't light</b>	Cylinder valve is closed	Open valve
	Blockage in orifice or pilot tube	Clean or replace orifice or pilot tube
	Air in the gas line	Open gas line and bleed it (pressing control dial in) for not more than 1-2 minutes or until you smell gas
	Low gas pressure	Gas cylinder low or empty
	Ignition fails	Change the Battery
<b>Pilot won't stay lit</b>	Dirt build up around the pilot	Clean dirt from around the pilot
	Connection between the gas valve and pilot assembly is loose	Tighten the connection and perform a leak test
	Bad thermocouple	Replace the thermocouple
<b>Burner won't light</b>	Gas pressure is low	Replace the gas cylinder
	Blockage in the orifice	Clear the blockage
	Control dial is not in the "HIGH" position	Turn control dial to the "HIGH" position
<b>Burner flame is low</b> <i>Note: Do not operate heater below 5°C(40°F)</i>	Gas pressure is low	Replace the gas cylinder
	Tank is almost empty.	Replace the gas cylinder
	Supply hose is bent or kinked	Straighten hose and perform leak test on the hose
	Control dial is fully "ON"	Turn control dial to "OFF", let it cool to room temperature and check burner and orifices for blockage
<b>Emitter glows uneven</b> <i>Note: Bottom 2.5cm of emitter does not normally glow</i>	Gas pressure is low	Replace the gas cylinder
	Base is not on a level surface	Place heater on a level surface
	Heater not level	Level the heater
<b>Carbon build-up</b>	Dirt or film on the reflector and/or emitter	Clean the reflector and emitter
<b>Thick black smoke</b>	Blockage in burner	Turn the control dial to the <b>OFF</b> position, let it cool to room temperature and remove blockage and clean burner inside and outside.

## TECHNICAL SPECIFICATIONS

Model: eiQODGRSS eiQODGRBL eiQODGRWH eiQODGAG Model Identifier: SRPH84 Nominal Heat input =6.0kW Consumption: 800 g/h(G30) - 786g/h(G31)					
Country Code	BE-CH-CY- CZ-ES-FR- GB-GR- IE- IT-LT-LU-LV- PT-SK-SI	BG-CZ-DK- EE-FI-FR- HR-HU-IS- IT-LT-LU- MT-NL-NO- RO-SE-SI- SK-TR	AT-CH-DE- SK	PL	
Gas Category	I3+(28-30/37)	I3B/P(30)	I3B/P(50)	I3B/P(37)	
Type of Gas	Butane / Propane	Propane	Butane/ Propane / Mixture	Butane/ Propane / Mixture	
Gas pressure	28-30mbar	30mbar	50mbar	37mbar	
Injector Marking	1.67	1.67	1.39	1.5	
<p><b>Warning</b>            Read the instructions before using this appliance.            The appliance must be installed in accordance with instructions and local regulations.            The use of this appliance in enclosed areas can be dangerous and is PROHIBITED.            For use outdoors or in amply ventilated areas.            An amply ventilated area must have a minimum of 25% of the surface area open.            The surface area is the sum of the walls surface.</p>					

## electriQ SUPPORT

[www.electriQ.co.uk/support](http://www.electriQ.co.uk/support)

Call: 0330 390 3061 or complete the online form

Office hours: 9AM - 5PM Monday to Friday

[www.electriQ.co.uk](http://www.electriQ.co.uk)

Unit J6, Lowfields Business Park

Lowfields Way, Elland

West Yorkshire, HX5 9DA